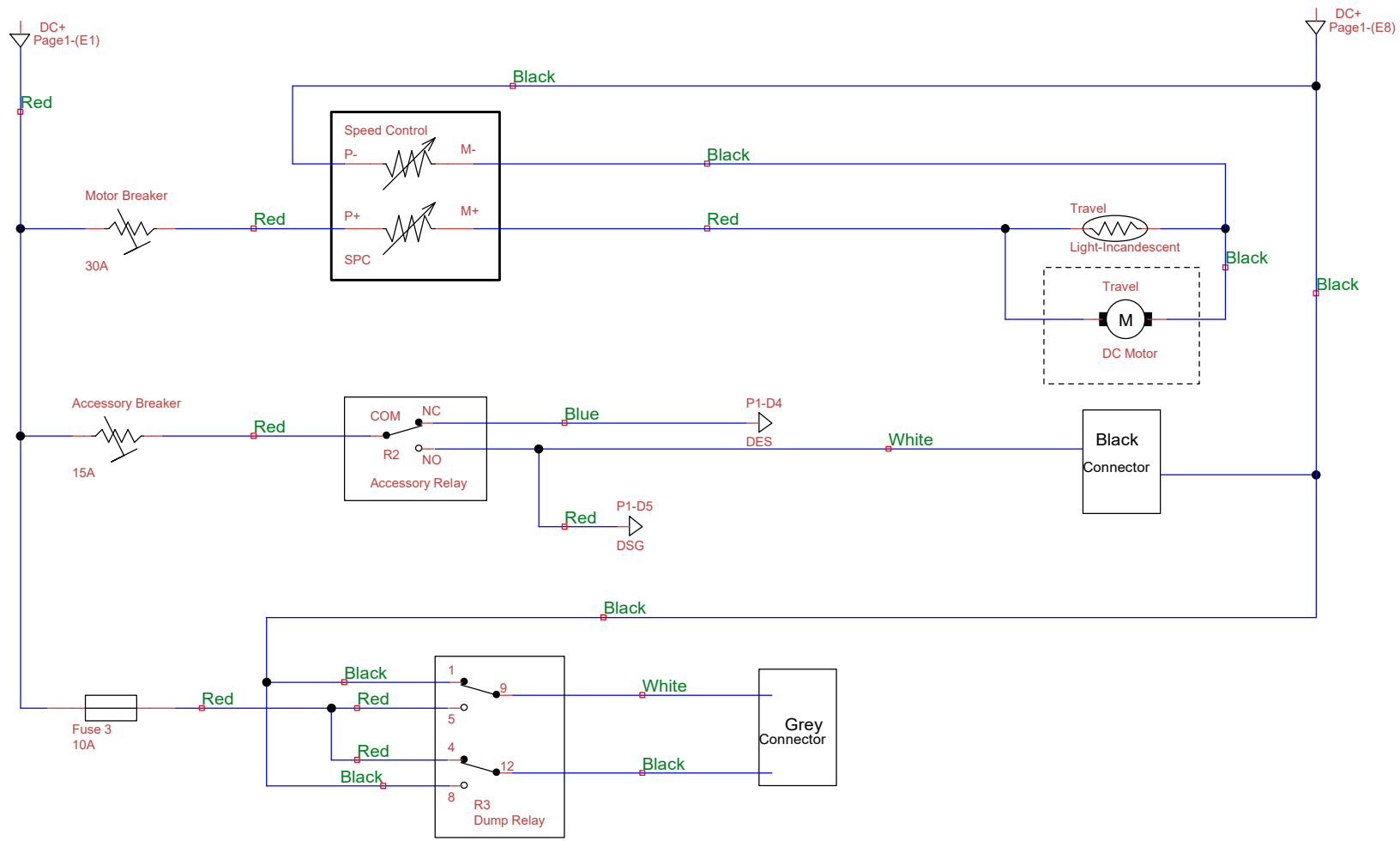


Title Poultry Hawk Schematic		
Author Ehst Systems and Controls ehst.solutions 717-925-0344		
File ultry Hawk\V2.0\Poultry Hawk SchematicV2.0.dsn	Document Control	
Revision 2.0	Date JKE 18 April 2017	Sheets 1 of 2



Title Poultry Hawk Schematic		
Author Ehst Systems and Controls ehst.solutions 717-925-0344		
File ultry Hawk\V2.0\Poultry Hawk SchematicV2.0.dsn	Document Power	
Revision 2.0	Date JKE 18 April 2017	Sheets 2 of 2